

HSG BLDC Worm Geared Motors 2-1

□42

Gear Ratio 1/14.5

Product Features

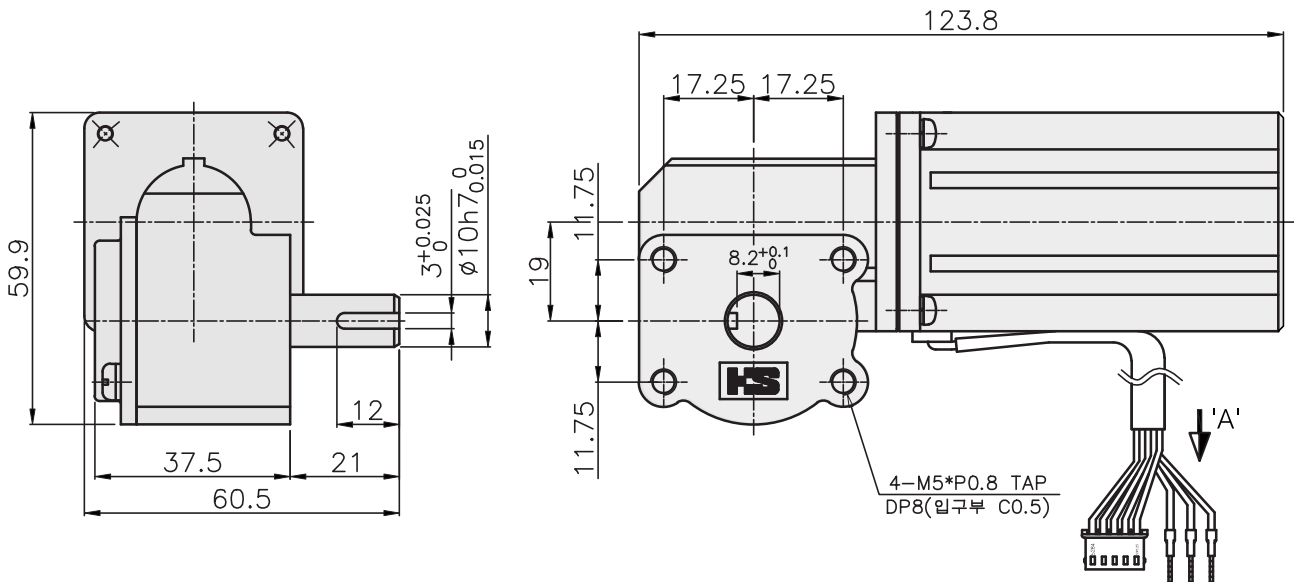
Compact size design

Minimize vibration and noise

Minimizing power consumption



DIMENSIONS



NO	NAME	COLOR
1	H1	YELLOW
2	H2	BROWN
3	H3	WHITE
4	GND	BLACK
5	VCC	RED
6	U	BLUE
7	V	GREEN
8	W	ORANGE

5284-05 U V W

MOTOR CONNECTOR (VIEW 'A')

SPECIFICATION

Model	Voltage (VDC)	Geared Motor				Motor Only					Weight (kg)
		Gear Ratio	No-Load		No-Load		At Rated Load			Output (W)	
			Speed (rpm)	Current (A)	Speed (rpm)	Current (A)	Speed (rpm)	Torque (kgf·cm)	Current (A)		
HBGM4-2024A	24	1:14.5	276	0.6	4000	0.5	3000	0.7	1.5	20	0.62