

□60

Gear Ratio 1/5 ~ 1/200

Product Features

Minimize vibration and noise

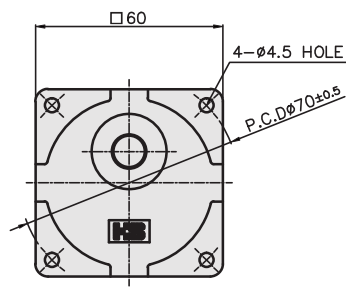
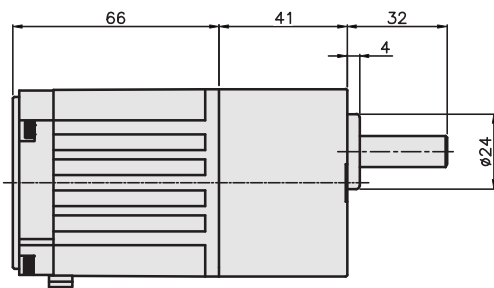
Minimize cogging load

Protection against heat

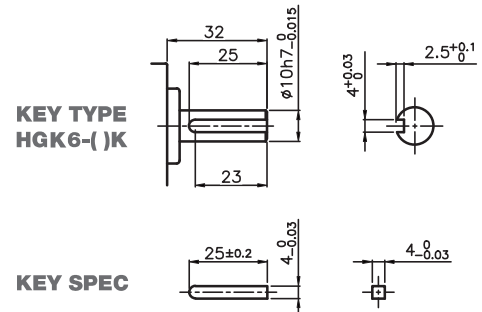
A variety of drive controller option



DIMENSIONS



GEARHEAD OUTPUT SHAFT



MAXIMUM PERMISSIBLE TORQUE OF GEAR HEAD

Model	Gear Ratio		5	10	15	20	30	50	100	200
Geared Motor: HBGM6-6024A HBGM6-60310A	Speed (No Load)	rpm	600	300	200	150	100	60	30	15
	Gear Head: HGK6(-)	Torque	N·m	0.90	1.81	2.71	3.61	5.14	6	6
		kgf·cm	9.0	18.1	27.1	36.1	51.4	60	60	60

Green color indicates that the output shaft of the geared motor rotates in the same direction as the output shaft of the motor. Others indicate rotation in the opposite direction.