

□90

Gear Ratio 1/5 ~ 1/200

Product Features

Minimize vibration and noise

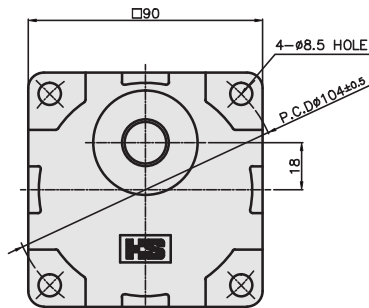
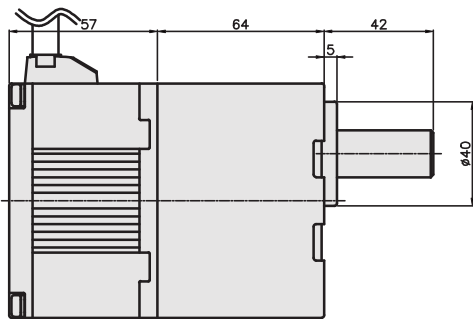
Minimize cogging load

Protection against heat

A variety of drive controller option

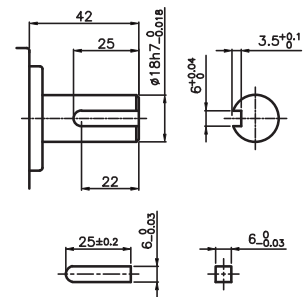


DIMENSIONS



GEARHEAD OUTPUT SHAFT

Key Type
HGK9-()K



Key Spec

MAXIMUM PERMISSIBLE TORQUE OF GEAR HEAD

Model	Gear Ratio		5	10	15	20	30	50	100	200
Geared Motor: HBGM9-10024A HBGM9-100310A	Speed (No Load)	rpm	600	300	200	150	100	60	30	15
	Gear Head: HGK9-()	Torque	N·m	1.53	3.07	4.60	6.14	8.75	14.58	29.15
		kgf·cm	15.3	30.7	46.0	61.4	87.5	145.8	291.5	300

Green color indicates that the output shaft of the geared motor rotates in the same direction as the output shaft of the motor. Others indicate rotation in the opposite direction.