

Outer Rotor Type BLDC Motors

2-6

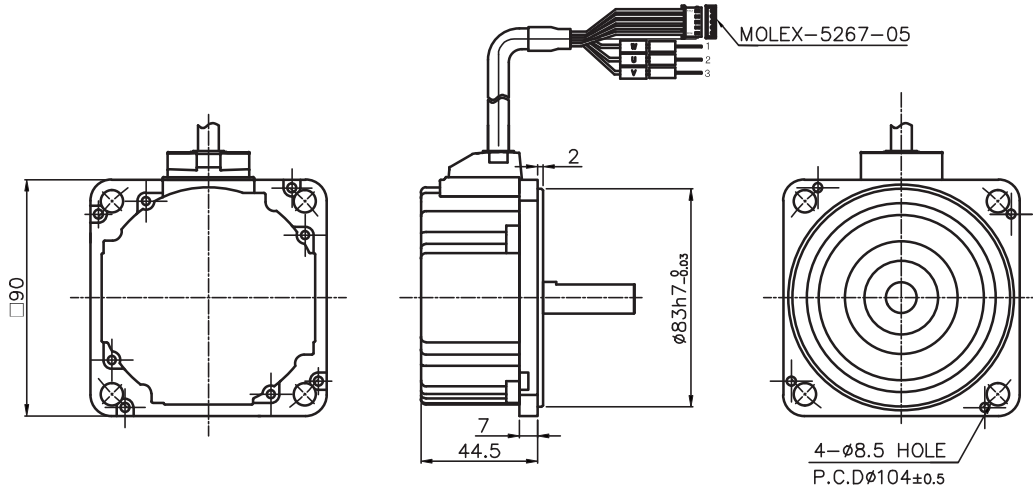
Square Type □90 / 100W
(Rotor case cover & shield cable)

Product Features

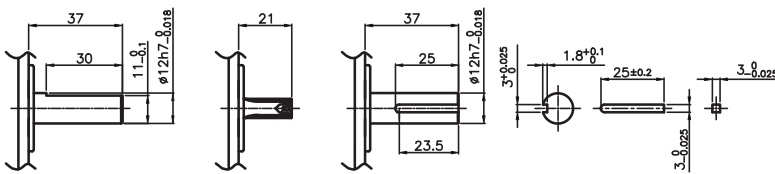
- Small size Flat design
- Low noise & High torque
- Fast response



DIMENSIONS



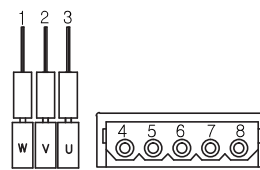
MOTOR OUTPUT SHAFT



D-CUT TYPE GEARED TYPE

KEY TYPE

CIRCUIT DIAGRAM



NO	COLOR	SIGNAL
1	ORANGE	W
2	GREEN	V
3	BLUE	U
4	RED	VCC
5	BLACK	GND
6	WHITE	H3
7	BROWN	H2
8	YELLOW	H1

SPECIFICATION

Model	Output (W)	Voltage (VDC)	At Rated Load			Weight (kg)
			Speed (rpm)	Torque (kgf-cm)	Current (A)	
HBOM9-10024B	100	24	3000	3.4	6.00	0.70
HBOM9-100310B	100	310	3000	3.4	0.60	0.70