

HSG DC Motors

1-4

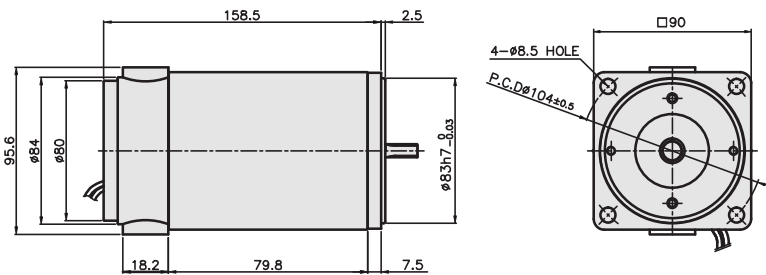
□90
150W, 200W

Product Features

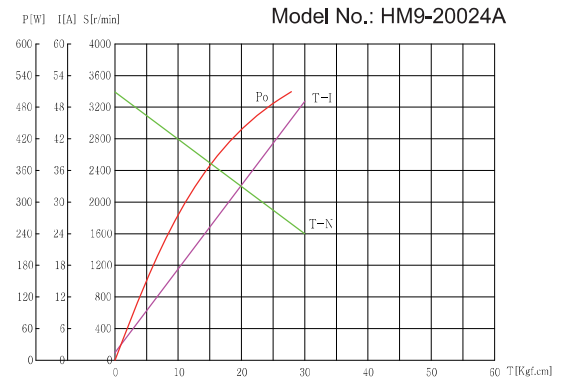
- High Efficiency
- Low Noise & Low Vibration
- Replaceable brushes



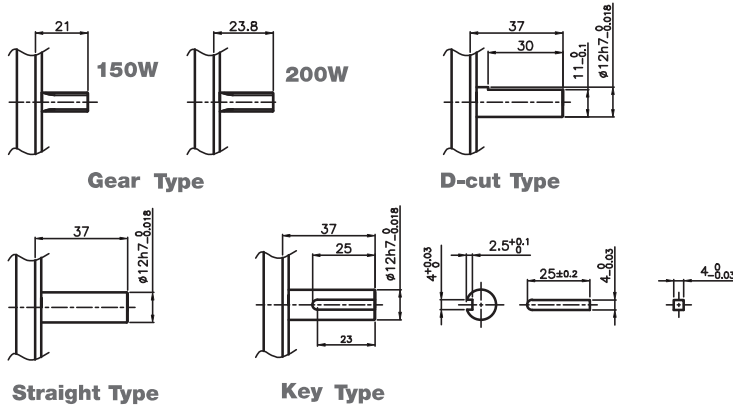
DIMENSIONS



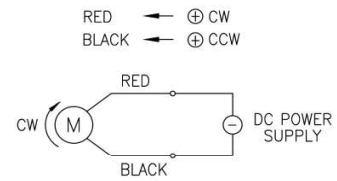
CHARACTERISTIC CURVE



MOTOR OUTPUT SHAFT



CIRCUIT DIAGRAM



SPECIFICATION

Model	Output (W)	Voltage (VDC)	No Load		At Rated Load			Weight (kg)
			Speed (rpm)	Current (A)	Speed (rpm)	Torque (kgf.cm)	Current (A)	
HM9-15024A	150	24	3200	1.5	2900	5.0	8.8	3.4
HM9-20024A	200	24	3400	1.5	3000	6.5	11.2	3.4