

WORM GEARED TYPE DC MOTOR

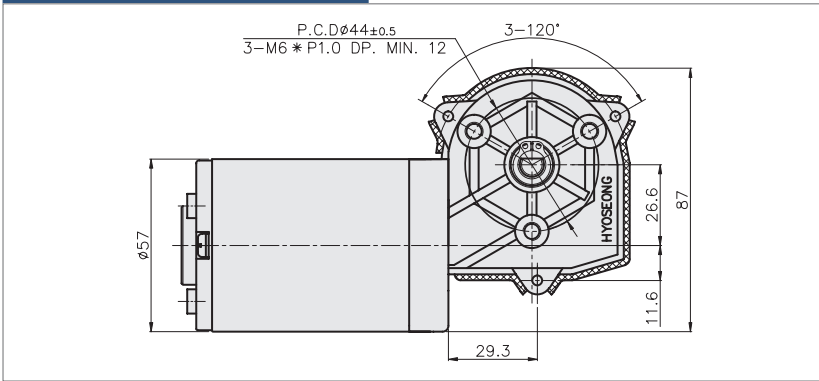
□ HM37 Gear Ratio : 1/55, 1/77



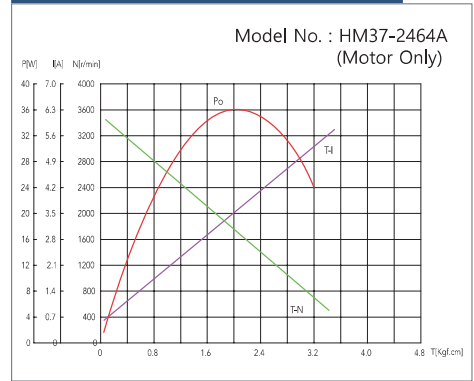
FEATURES

- Competitive price
- Small size & light weight
- Wide range of applications

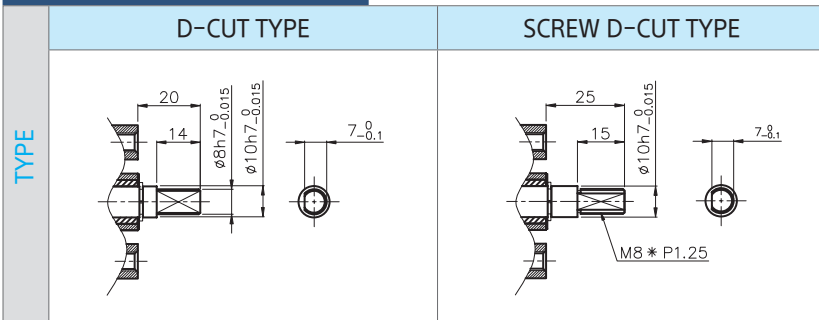
DIMENSIONS



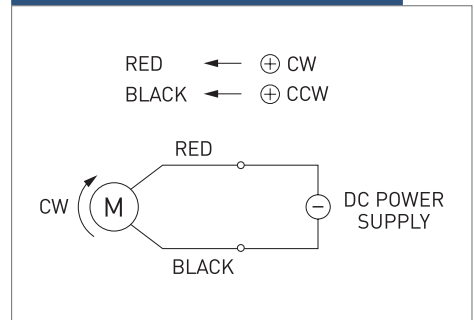
CHARACTERISTIC CURVE



MOTOR OUTPUT SHAFT



CIRCUIT DIAGRAM



SPECIFICATION

Model	Voltage (VDC)	Geared Motor				Motor Only					Weight (kg)
		Gear Ratio	No-Load		No-Load		At Rated Load			Output (W)	
			Speed (rpm)	Current (A)	Speed (rpm)	Current (A)	Speed (rpm)	Torque (kgf.cm)	Current (A)		
HM37-1264A	12	1:55	64	1.2	3520	1.2	3000	0.5	2.4	15	0.8
HM37-1232A	12	1:55	32	0.6	1760	0.6	1170	0.5	1.4	6	0.8
HM37-2464A	24	1:55	64	0.6	3520	0.6	3000	0.5	1.9	15	0.8
HM37-2423A	24	1:77	23	0.4	1800	0.4	1350	0.45	0.8	6	0.8