

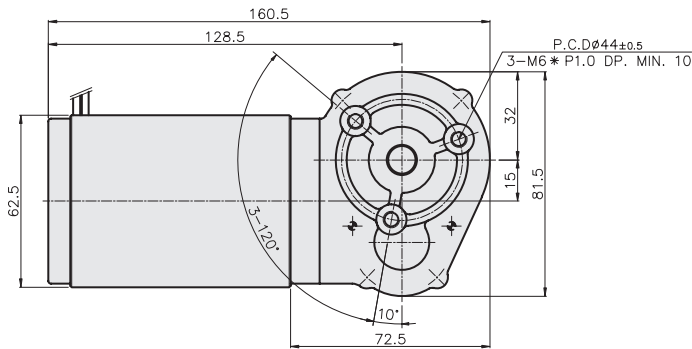
□ HSW Gear Ratio : 1/50 ~ 1/110



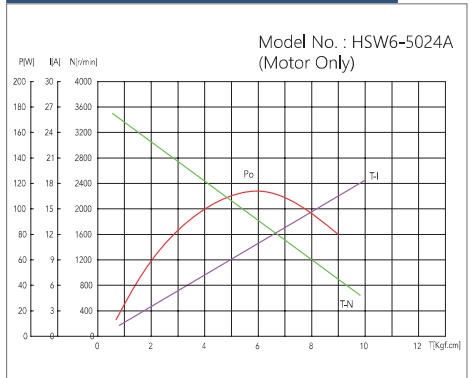
**FEATURES**

- Various Gear Ratio
- Prevent reverse force
- Small size & light weight
- Wide range of applications

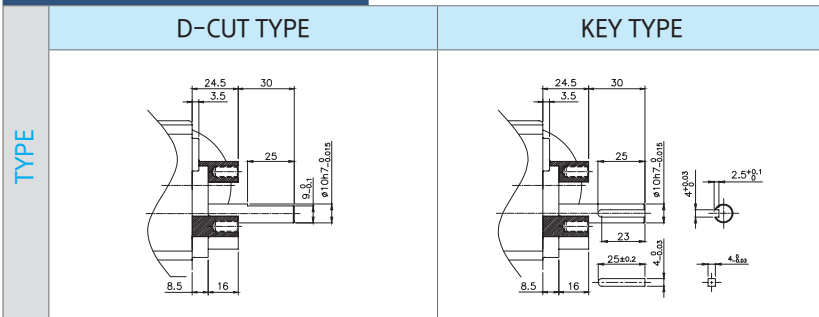
**DIMENSIONS**



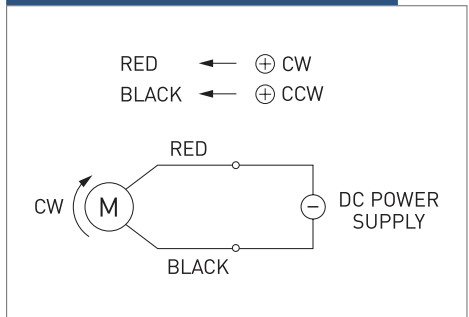
**CHARACTERISTIC CURVE**



**MOTOR OUTPUT SHAFT**



**CIRCUIT DIAGRAM**



**SPECIFICATION**

Model	Voltage (VDC)	Geared Motor				Motor Only					Weight (kg)
		Gear Ratio	No-Load		No-Load		At Rated Load			Output (W)	
			Speed (rpm)	Current (A)	Speed (rpm)	Current (A)	Speed (rpm)	Torque (kgf.cm)	Current (A)		
HSW6-5024A	24	1:50	72	0.8	3,600	0.8	3,150	1.54	3.3	50	1.5
HSW6-5024A	24	1:110	33	0.8	3,600	0.8	3,150	1.54	3.3	50	1.5