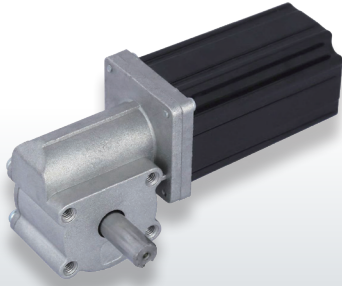


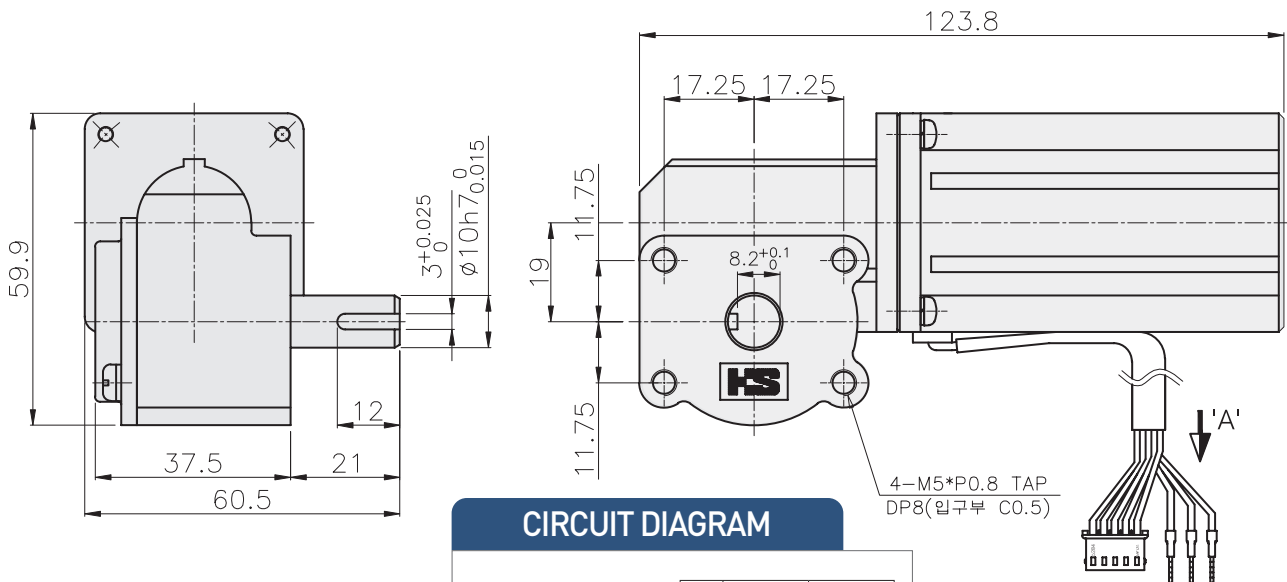
□ 42 Gear Ratio : 1/14.5



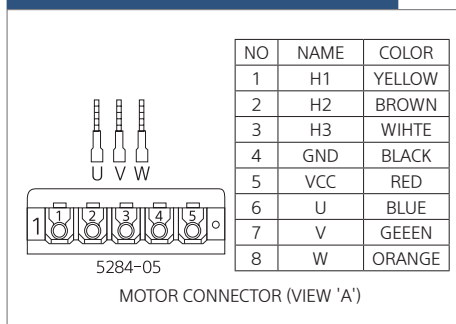
FEATURES

- Compact size design
- Minimize vibration and noise
- Minimizing power consumption

DIMENSIONS



CIRCUIT DIAGRAM



SPECIFICATION

Model	Voltage (VDC)	Geared Motor			Motor Only						
		Gear Ratio	No-Load		No-Load		At Rated Load			Output (W)	Weight (kg)
			Speed (rpm)	Current (A)	Speed (rpm)	Current (A)	Speed (rpm)	Torque (kgf.cm)	Current (A)		
HBGM-2024A	24	1:14.5	276	0.6	4000	0.5	3000	0.7	1.5	20	0.62