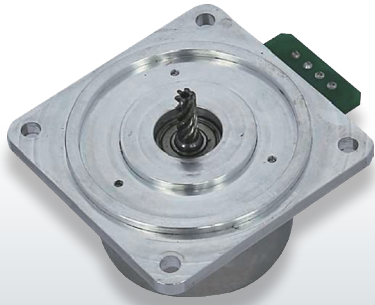


OUTER ROTOR TYPE BLDC MOTORS

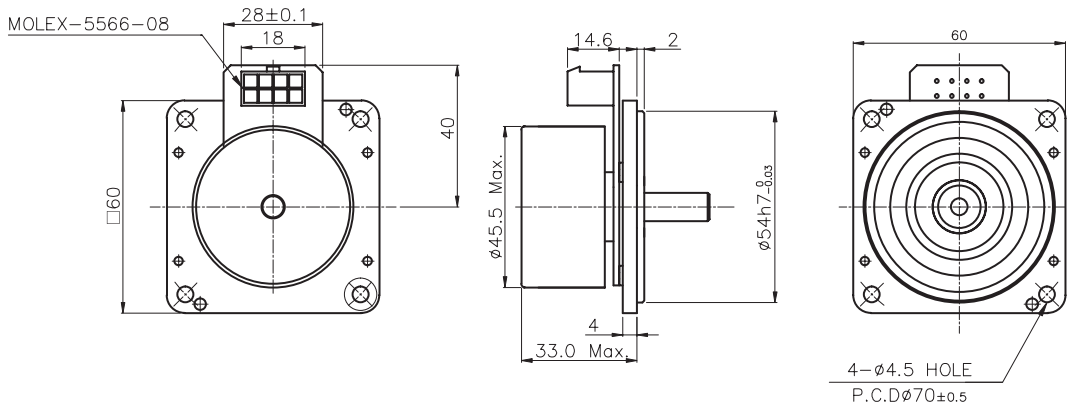
□ SQUARE TYPE □60 60W



FEATURES

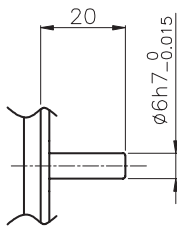
- Small size Flat design
- Low noise & High torque
- Fast response

DIMENSIONS

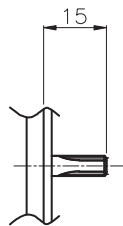


MOTOR OUTPUT SHAFT

ROUND TYPE

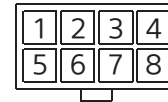


GEARED TYPE



CIRCUIT DIAGRAM

PIN NUMBER



NO	SIGNAL
1	H3
2	H1
3	VCC
4	W
5	H2
6	GND
7	U
8	V

SPECIFICATION

Model	Output (W)	Voltage (V)	At Rated Load			Weight (kg)
			Speed (rpm)	Torque (kgf.cm)	Current (A)	
HBOM6-6024A	60	24	3000	2.0	4.00	0.30
HBOM6-60310A	60	310	3000	2.0	0.40	0.30