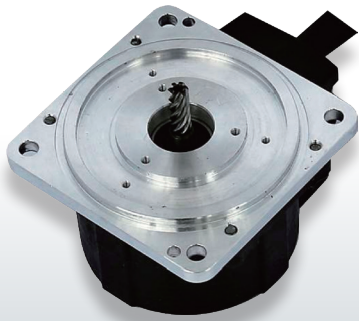


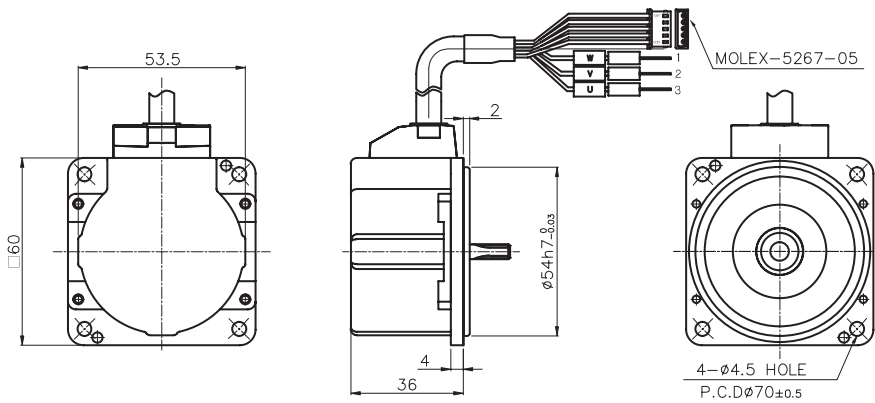
□ SQUARE TYPE □60 60W (Rotor Case cover & shield cable)



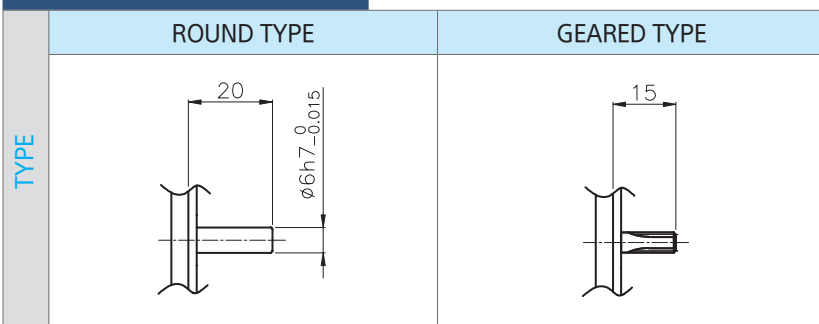
FEATURES

- Small size Flat design
- Low noise & High torque
- Fast response

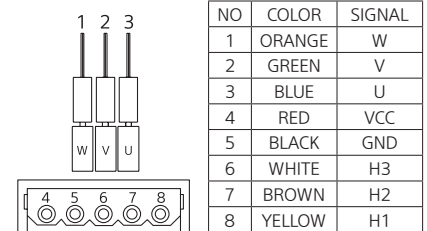
DIMENSIONS



MOTOR OUTPUT SHAFT



CIRCUIT DIAGRAM



SPECIFICATION

Model	Output (W)	Voltage (V)	At Rated Load			Weight (kg)
			Speed (rpm)	Torque (kgf.cm)	Current (A)	
HBOM6-6024B	60	24	3000	2.0	4.00	0.30
HBOM6-60310B	60	310	3000	2.0	0.40	0.30