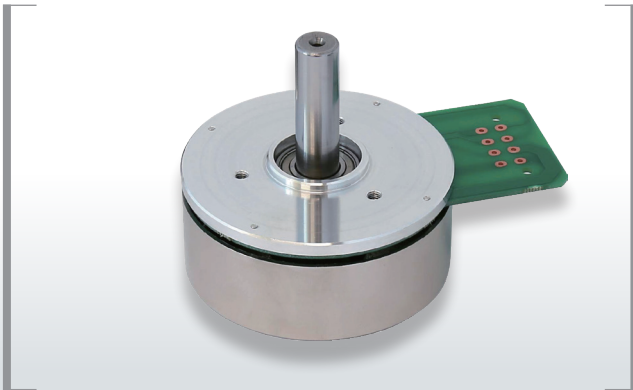


OUTER ROTOR TYPE BLDC MOTORS

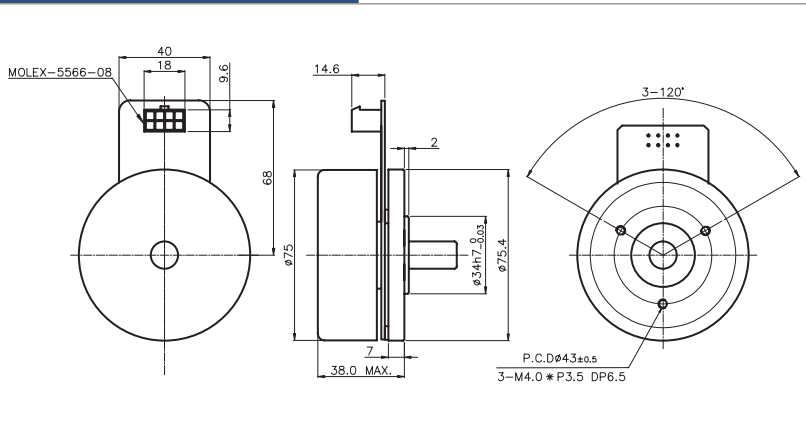
□ ROUND TYPE $\Phi 75$ 100W



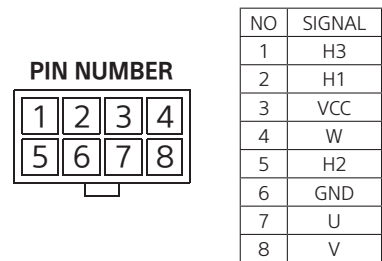
FEATURES

- Small size Flat design
- Low noise & High torque
- Fast response

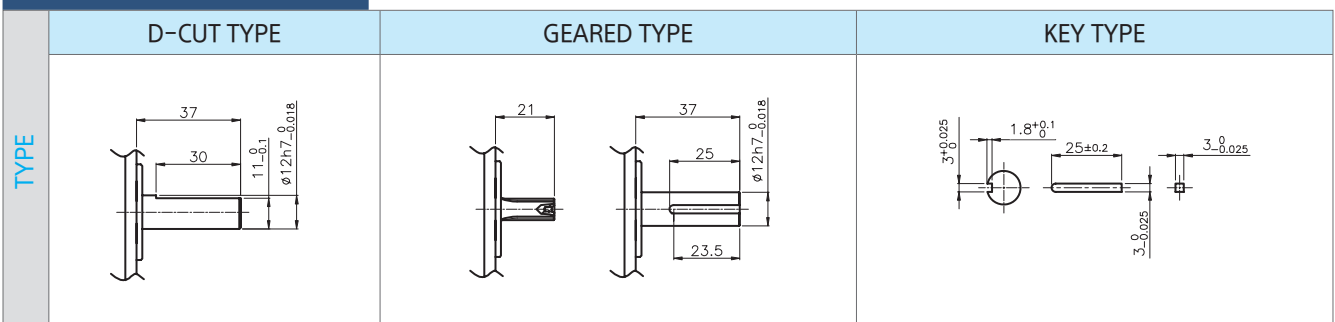
DIMENSIONS



CIRCUIT DIAGRAM



MOTOR OUTPUT SHAFT



SPECIFICATION

Model	Output (W)	Voltage (V)	At Rated Load			Weight (kg)
			Speed (rpm)	Torque (kgf.cm)	Current (A)	
HBOM75-10024A	100	24	3000	3.2	6.00	0.70
HBOM75-100310A	100	310	3000	3.2	0.60	0.70