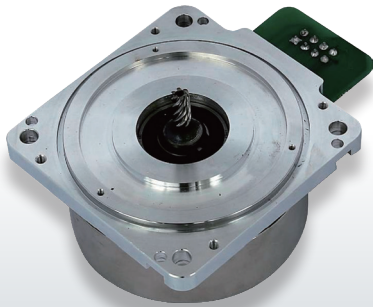


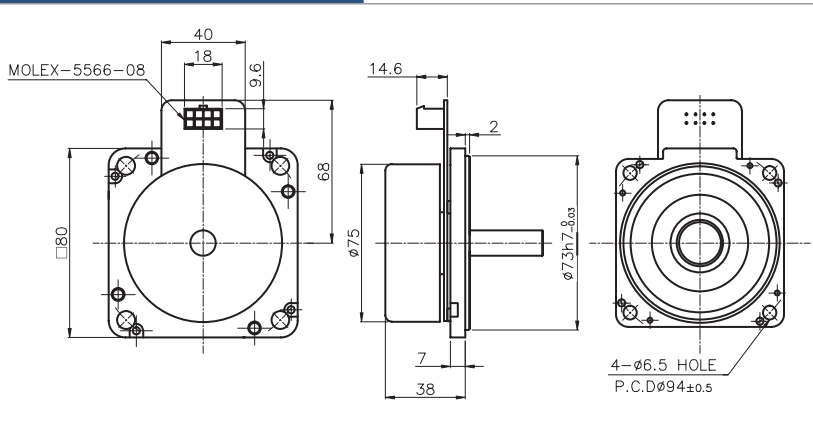
**SQUARE TYPE □80 100W**



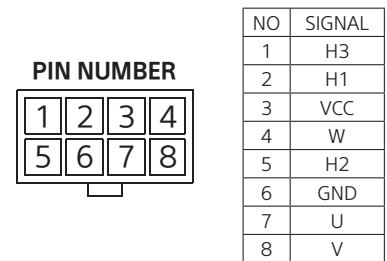
**FEATURES**

- Small size Flat design
- Low noise & High torque
- Fast response

**DIMENSIONS**



**CIRCUIT DIAGRAM**



**MOTOR OUTPUT SHAFT**

	D-CUT TYPE	GEARED TYPE	KEY TYPE
<b>TYPE</b>			

**SPECIFICATION**

Model	Output (W)	Voltage (V)	At Rated Load			Weight (kg)
			Speed (rpm)	Torque (kgf.cm)	Current (A)	
HBOMB-10024A	100	24	3000	3.2	6.00	0.70
HBOMB-100310A	100	310	3000	3.2	0.60	0.70