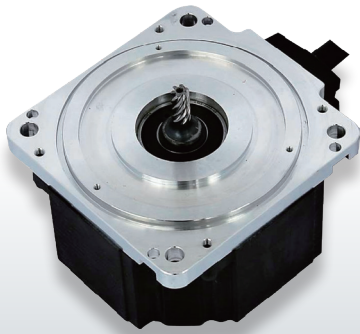


OUTER ROTOR TYPE BLDC MOTORS

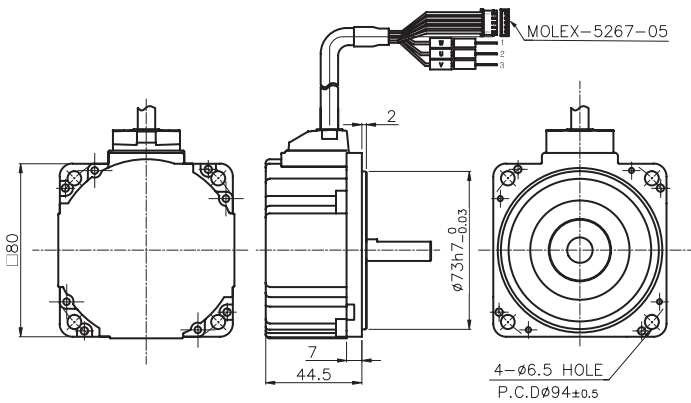
SQUARE TYPE □80 100W (Rotor Case cover & shield cable)



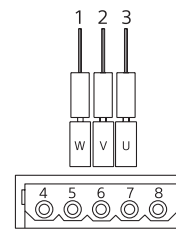
FEATURES

- Small size Flat design
- Low noise & High torque
- Fast response

DIMENSIONS



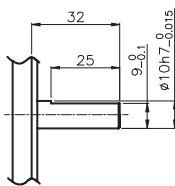
CIRCUIT DIAGRAM



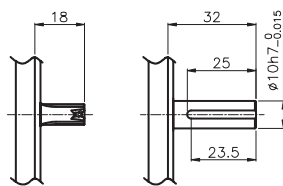
NO	COLOR	SIGNAL
1	ORANGE	W
2	GREEN	V
3	BLUE	U
4	RED	VCC
5	BLACK	GND
6	WHITE	H3
7	BROWN	H2
8	YELLOW	H1

MOTOR OUTPUT SHAFT

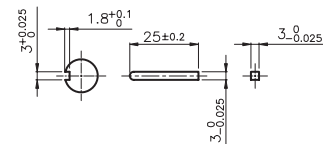
D-CUT TYPE



GEARED TYPE



KEY TYPE



SPECIFICATION

Model	Output (W)	Voltage (V)	At Rated Load			Weight (kg)
			Speed (rpm)	Torque (kgf.cm)	Current (A)	
HBOM8-10024B	100	24	3000	3.2	6.00	0.70
HBOM8-100310B	100	310	3000	3.2	0.60	0.70