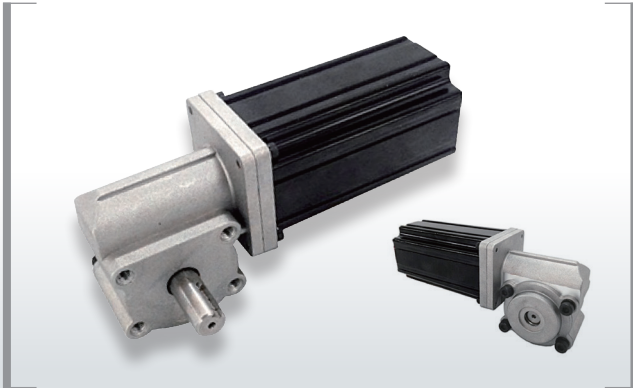


SPECIAL TYPE BLDC GEARED MOTOR FOR

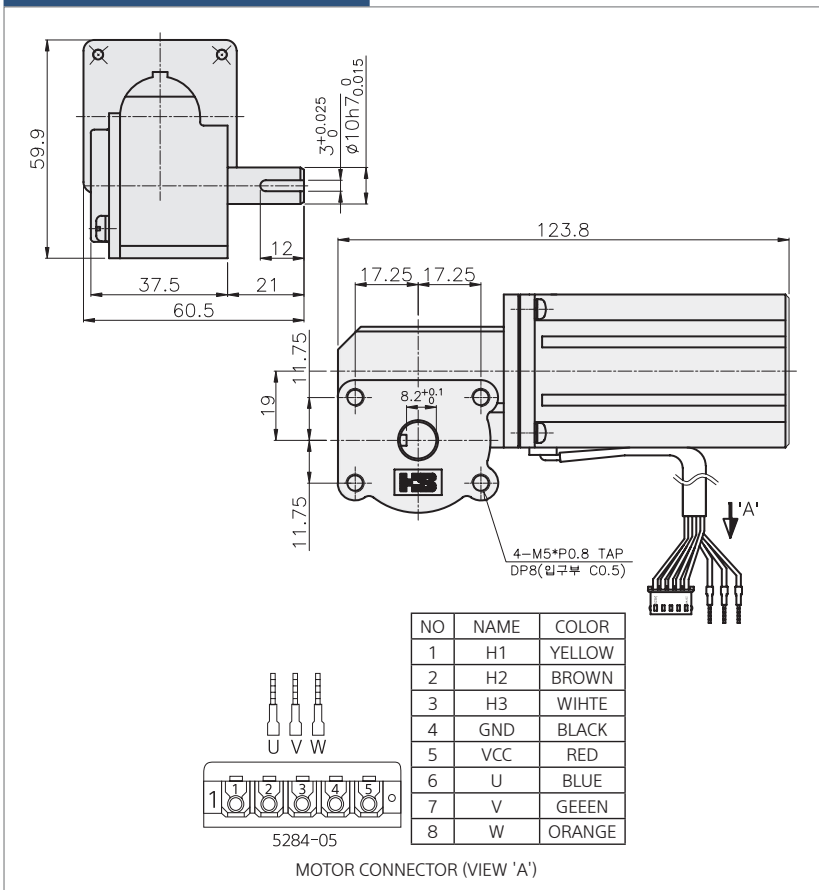
□ AUTOMATIC SLIDING DOOR (MIDDLE DOOR JPN)



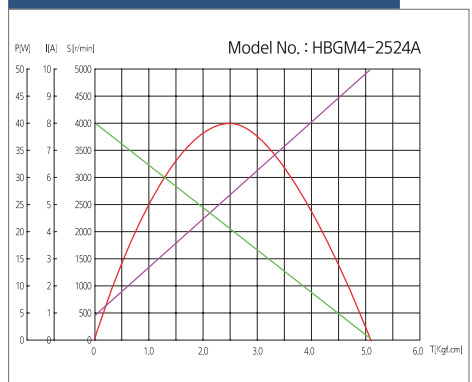
FEATURES

- Smallest & Compact Size
- Non-fixed for Minimize noise and vibration
- Using manually in case of Power failure (Less Cogging Load)
- Less Power consumption

DIMENSIONS



CHARACTERISTIC CURVE



SPECIFICATION

Model	Voltage (VDC)	Geared Motor				Motor Only					Weight (kg)
		Gear Ratio	No-Load		No-Load		At Rated Load			Output (W)	
			Speed (rpm)	Current (A)	Speed (rpm)	Current (A)	Speed (rpm)	Torque (kgf.cm)	Current (A)		
HBGM4-2024A	24	1:14.5	276	0.6	4000	0.5	3000	0.7	1.5	20	0.62