

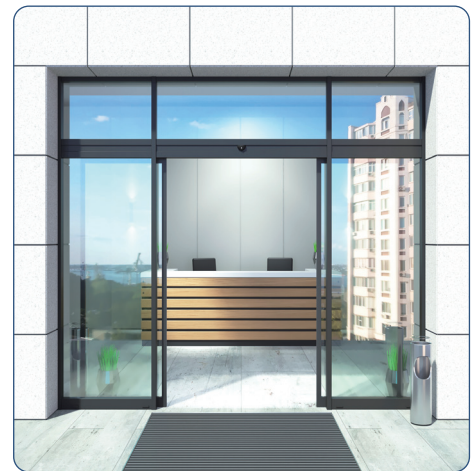
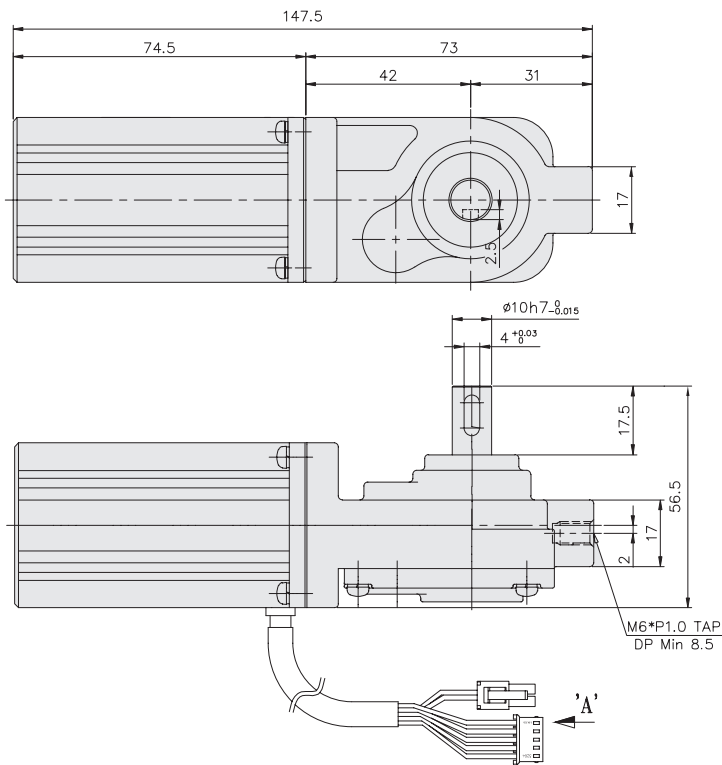
□ AUTOMATIC SLIDING DOOR (MIDDLE DOOR KOR)



FEATURES

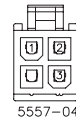
- Smallest & Compact Size
- Non-fixed for Minimize noise and vibration
- Using manually in case of Power failure (Less Cogging Load)
- Less Power consumption

DIMENSIONS



CHARACTERISTIC CURVE

NO	NAME	COLOR
1	V	GREEN
2	U	BLUE
3	W	ORANGE
4	VCC	RED
5	GND	BLACK
6	H3	WHITE
7	H2	BROWN
8	H1	YELLOW



MOTOR CONNECTOR (VIEW 'A')

SPECIFICATION

Model	Voltage (VDC)	Geared Motor				Motor Only					Weight (kg)
		Gear Ratio	No-Load		No-Load		At Rated Load			Output (W)	
			Speed (rpm)	Current (A)	Speed (rpm)	Current (A)	Speed (rpm)	Torque (kgf.cm)	Current (A)		
HBGM4-2012A	12	1:12.8	320	1.8	4100	1.2	3000	0.65	3.0	20	0.62