

SPECIAL TYPE BLDC GEARED MOTOR FOR

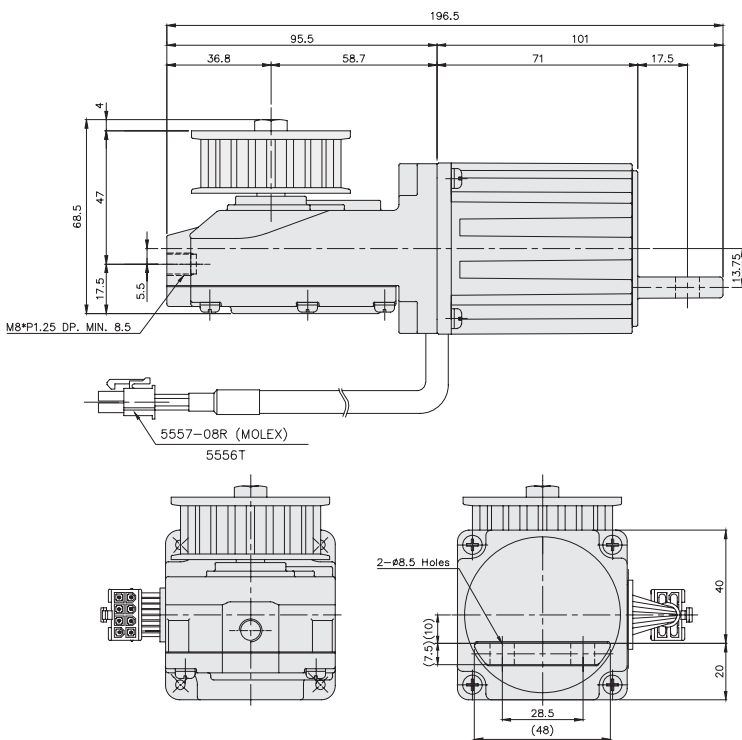
□ AUTOMATIC SLIDING DOOR (BLDC GENERAL)



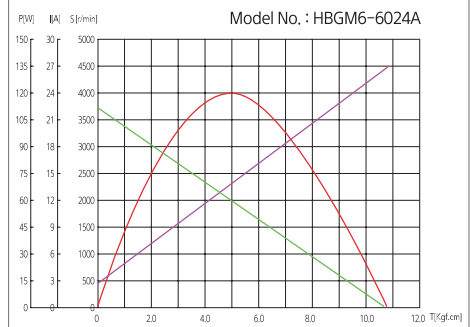
FEATURES

- Low Noise & High Torque
- Small size & Light Weight
- Fast response for Open/Close Timing
- Optimization of manufacturing
- Price competitiveness

DIMENSIONS



CHARACTERISTIC CURVE



SPECIFICATION

Model	Voltage (VDC)	Geared Motor				Motor Only					Weight (kg)
		Gear Ratio	No-Load		No-Load		At Rated Load			Output (W)	
			Speed (rpm)	Current (A)	Speed (rpm)	Current (A)	Speed (rpm)	Torque (kgf.cm)	Current (A)		
HBGM6-6024A	24	1:12	300	1.4	3600	1.4	3,000	2.0	4.5	60	1.2