

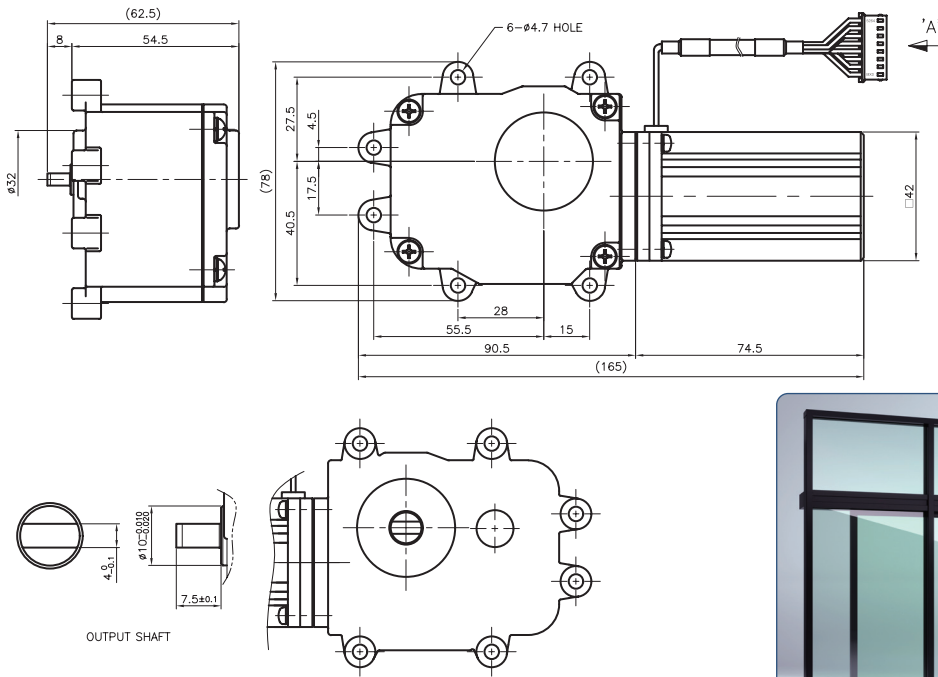
□ 42 Gear Ratio 1 / 502.6



FEATURES

- Compact size design
- Minimize vibration and noise
- Minimizing power consumption

DIMENSIONS



SPECIFICATION

Model	Voltage (VDC)	Geared Motor				Motor Only					Weight (kg)
		Gear Ratio	No-Load		No-Load		At Rated Load			Output (W)	
			Speed (rpm)	Current (A)	Speed (rpm)	Current (A)	Speed (rpm)	Torque (kgf.cm)	Current (A)		
HBGM4-2524A	24	1:502.6	8.4	0.8	4200	0.8	3,000	0.8	2.5	25	1.2