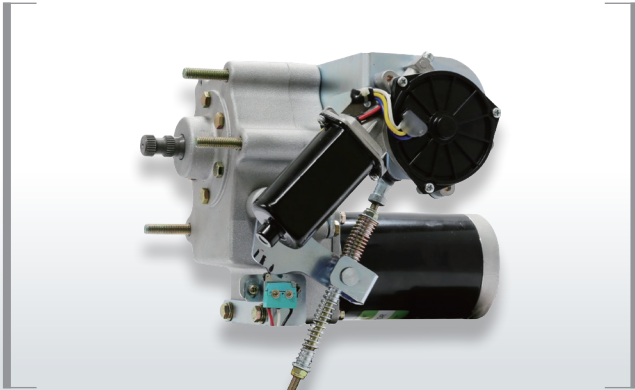


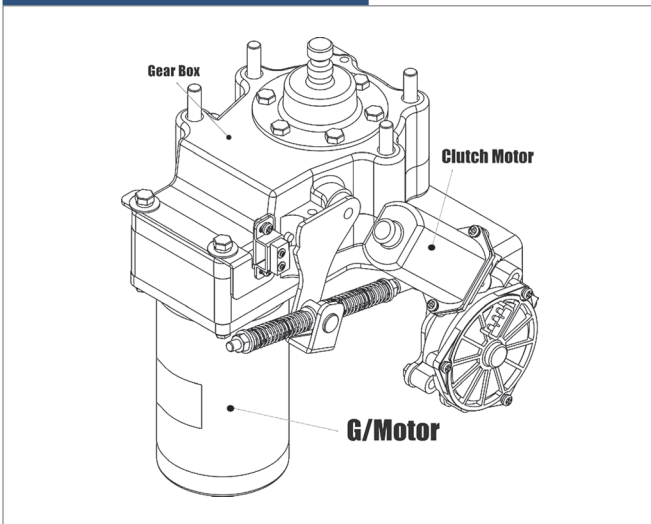
□ AUTOMATIC STEERING OF GOLF CAR



FEATURES

- Compact (Weight & Size) design
- Smooth handling of golf-car
- High efficiency
- Low noise & low vibration

DIMENSIONS



SPECIFICATION

Model	Voltage (DC V)	Geared Motor							Weight (kg)
		Gear Ratio	No-Load		At Rated Load			Output (W)	
			Speed (rpm)	Current (A)	Speed (rpm)	Torque (kgf.cm)	Current (A)		
Clutch Motor	30	1:72	44	0.9	3.1	19	1.6	6	0.8

SPECIFICATION

Model	Voltage (V)	Geared Motor				Motor Only				Weight (kg)	
		Gear Ratio	No-Load		No-Load		At Rated Load		Output (W)		
			Speed (rpm)	Current (A)	Speed (rpm)	Current (A)	Speed (rpm)	Torque (kgf.cm)			Current (A)
HGM8-13048A	48	1:10	325	1.0	3,250	0.8	2,950	4.3	4.5	130	6.1