

HSG POWERFUL GEARHEAD MOTOR

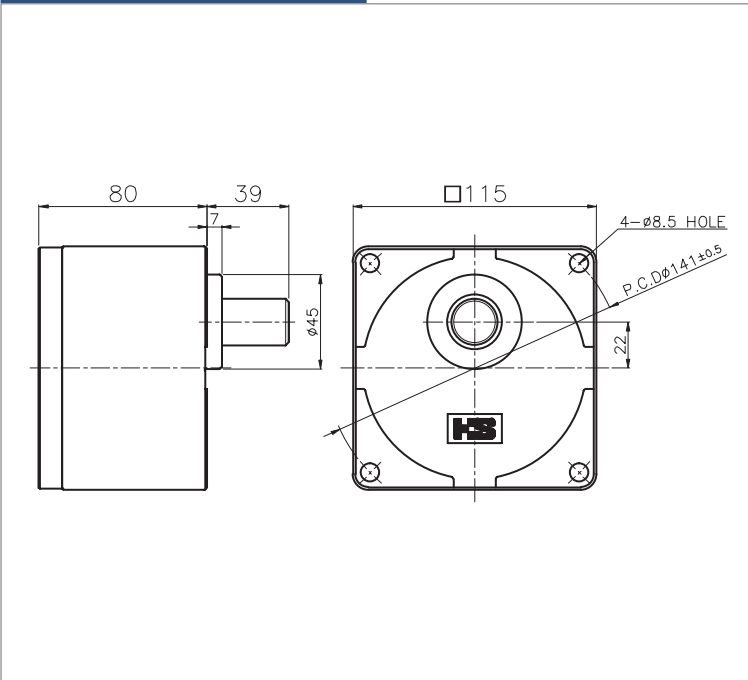
□ 115 Gear Ratio : 1/5 ~ 1/40



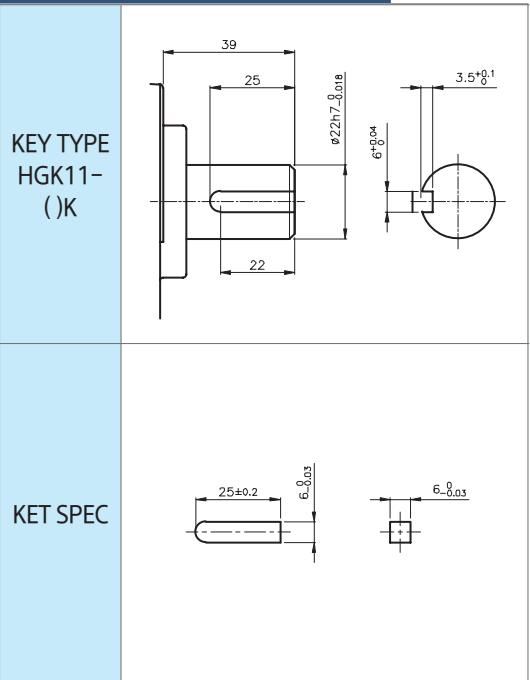
FEATURES

- Gear Ratios optimized for DC motor
- High Efficiency
- Low Noise & Low Vibration
- Replaceable brushes

DIMENSIONS



GEAR HEAD OUTPUT SHAFT



Maximum permissible torque of Gear Head

Model	Gear Ratio		5	10	15	20	25	30	40
Geared Motor: HGM11-25024A	Speed (No Load)	rpm	760	380	253	190	152	127	95
	Gear Head: HG11-()	Torque	N·m	3.36	6.72	9.08	12.10	15.13	18.15
kgf·cm			33.6	67.2	90.8	121.0	151.3	181.5	242.0
Geared Motor: HGM11-80024A	Speed (No Load)	rpm	760	380	253	190	152	127	95
	Gear Head: HGK11-()	Torque	N·m	9.88	19.76	26.68	35.58	44.47	50.00
kgf·cm			98.8	197.6	266.8	355.8	444.7	500.0	500.0

- Green color indicates that the output shaft of the geared motor rotates in the same direction as the output shaft of the motor. Others indicate rotation in the opposite direction.